

**SHIN HWA**

# Pneumatic Control Drive



製品案内

SHIN HWA ENG. CO., LTD.

## ■ 형식 기호

## ■ NOMENCLATURE

SE - □ H W □ □ □

### 기본형식 - Basic Model

01 ~ 200

Rated Torque 17~1730 kgf-m

### 수동핸들 - Manual Operator

### 보호구조 - Protection Class

None : IP54, W : IP65

### 제어방식 - Control Method

S : On-Off Control

R : Feedback Signal 0~1kΩ

F : Feedback Signal 4~20mA

A : Auto Type

(Input Signal 4~20mA D.C)

(Feedback Signal 4~20mA D.C)

### 입력신호 - Input Signal

C : Current DC 4~20mA

P : Air Pressure 0.2~1.0 kg/cm<sup>2</sup>

V : Solenoid Valve

(2 POSITION. 3POSITION)

STANDARD (O), SPECIAL (N)

## ■ 표준 사양

## ■ Standard Specifications

구 조 : 전폐 옥외형

주 위 온 도 : -10℃~50℃

습 도 : 85% 이하

사 용 정 격 : 연속

입 력 신 호 : 전류신호 : DC 4~20 mA

공압신호 : 0.2~1.0kg/cm<sup>2</sup>

사용공기압 : 1.4~7.0kg/cm<sup>2</sup>

운 전 각 도 : 90°

공기소비량 : 25 NL/min (밸런싱 위치)

표준색상 : 연 회 색

Constuction : Totally Enclosed Outdoor Type

Ambient Temperature : -10℃ ~ 50℃

Relative humidity : below 85%

Rating : Continuous

Input signal : Current : DC 4~20 mA

Air pressure : 0.2~1.0kg/cm<sup>2</sup>

Supply air pressure : 1.4~7.0kg/cm<sup>2</sup>

Operating angle : 90°

Air consumption : 25 NL/min (Balancing position)

Painted Color : Munsell 7.5 BG 6/1.5

## ■ 형번 선정표

## ■ TORQUE TABLE

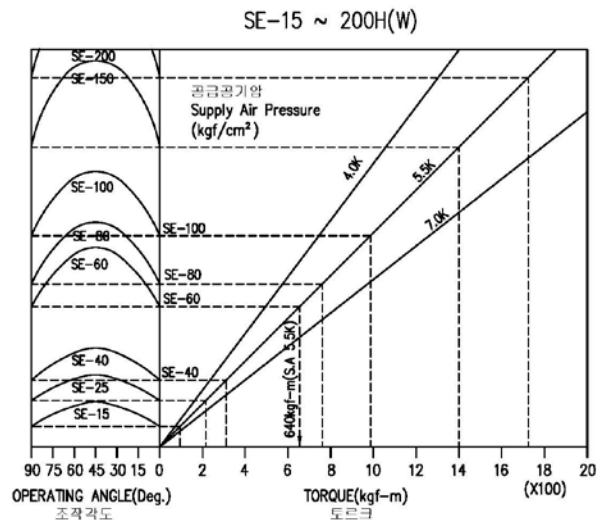
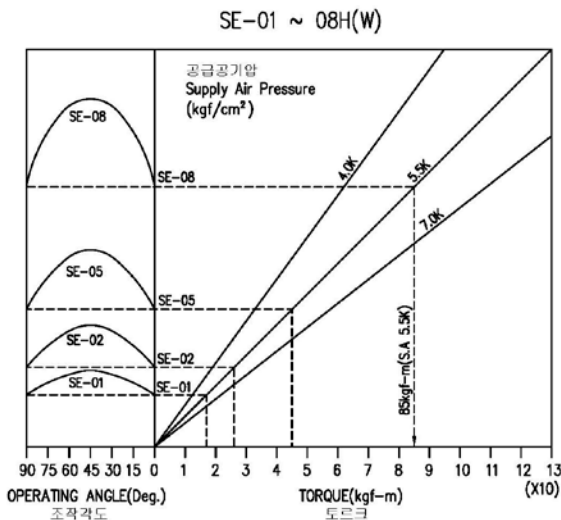
MODEL		RATED TORQUE (kgf-m)			CYLINDER BORE x STROKE (mm)	APPROX. WEIGHT (kg)
		Supply Air Pressure (kg/cm <sup>2</sup> )				
IP54	IP65	4.0	5.0	5.5		
SE-01H	SE-01HW	11	15	17	Ø100 x 100	70
SE-02H	SE-02HW	19	24	26	Ø125 x 100	80
SE-05H	SE-05HW	33	42	45	Ø160 x 100	160
SE-08H	SE-08HW	62	79	85	Ø180 x 150	190
SE-15H	SE-15HW	104	132	140	Ø200 x 200	280
SE-25H	SE-25HW	155	198	210	Ø200 x 300	380
SE-40H	SE-40HW	250	315	330	Ø250 x 300	440
SE-60H	SE-60HW	424	530	580	Ø300 x 350	620
SE-80H	-	545	680	750	Ø300 x 450	720
-	SE-80HW	550	690	760	Ø340 x 350	
-	SE-100HW	705	895	970	Ø385 x 350	820
-	SE-150HW	1010	1265	1390	Ø385 x 500	1550
-	SE-200HW	1300	1625	1730	Ø435 x 500	1950

\* Hysteresis : 2%

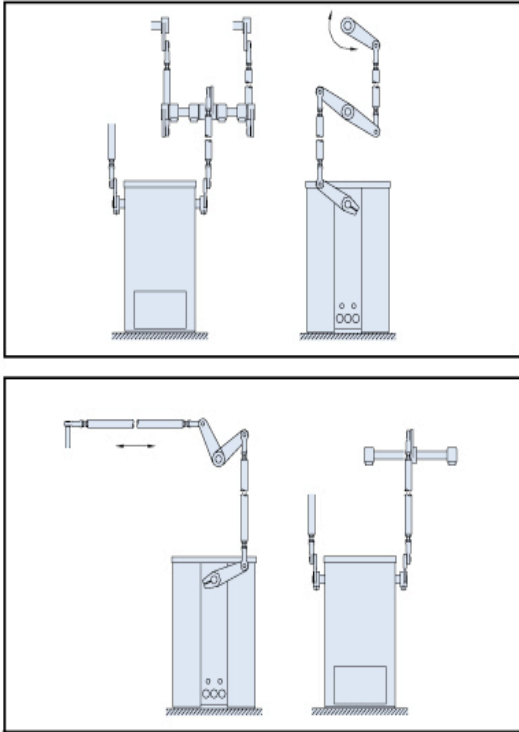
\*Linearity : ±3%

## ■ 성능 곡선도

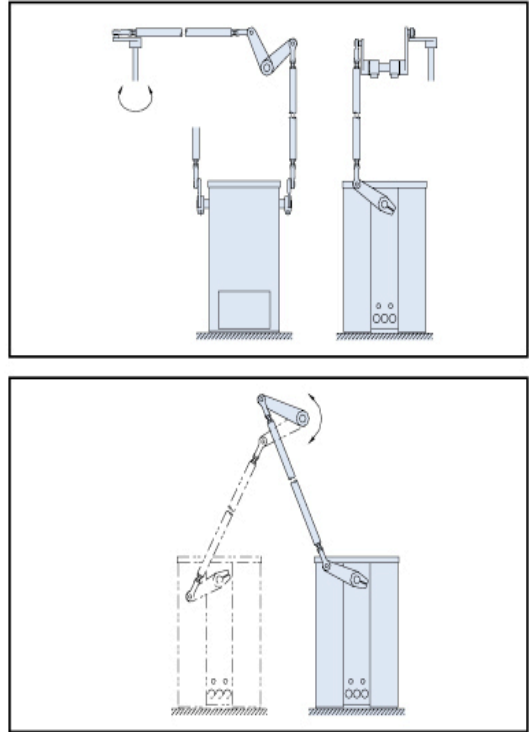
## ■ PERFORMANCE CURVE



## 설치예

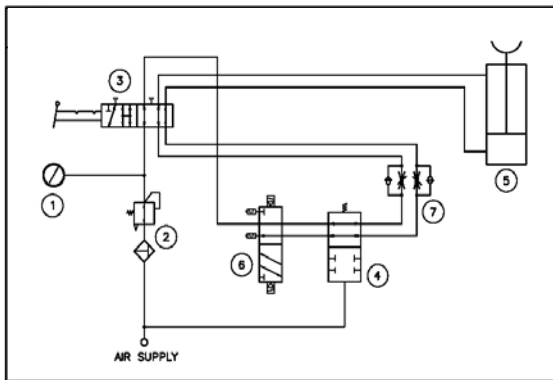


## EXAMPLE OF INSTALLATION



## 기본 배관도

하도는 액추에이터의 기본 배관도를 표시합니다. 이외의 특수 사양으로도 제작 가능하므로 주문시 협의하여 주시기 바랍니다.



## BASIC PIPING DIAGRAM

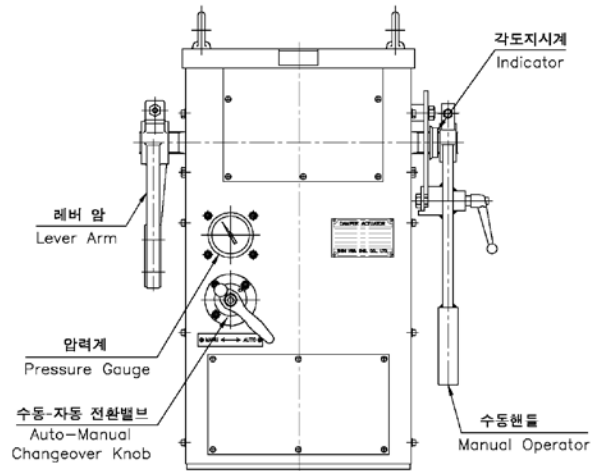
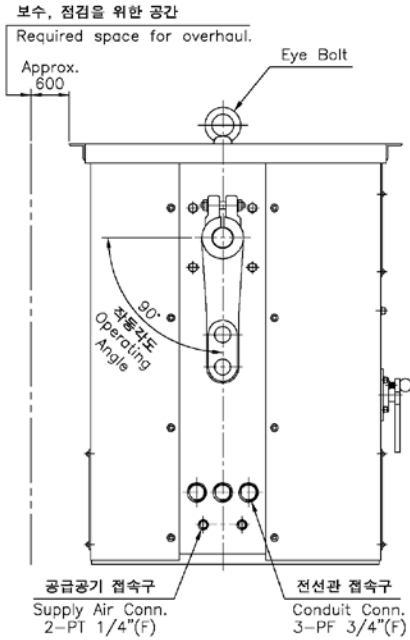
Under drawing shows the basic piping diagrams of Pneumatic Actuator. And special options are available, when ordering, please consult with us.

### • Air Accessories

1. 압력계 Pressure Gauge
2. 필터 레귤레이터 Filter Regulator
3. 자동 수동 전환 밸브 Hand Valve
4. 록업밸브 Lock up Valve
5. 에어실린더 Air Cylinder
6. 솔레노이드밸브 Solenoid Valve
7. 스피드 콘트롤러 Speed Controller

■ DIMENSIONS

■ MODEL SE-01H ~ SE-05H

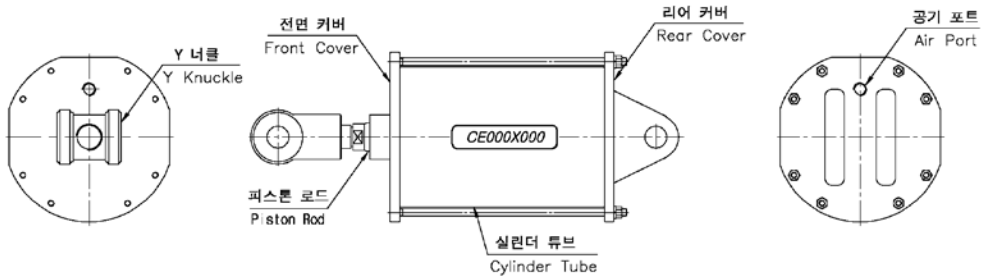


NOTE

\* 레버암은 축을 중심으로하여 임의의 각도로 돌려서 설치 가능합니다.

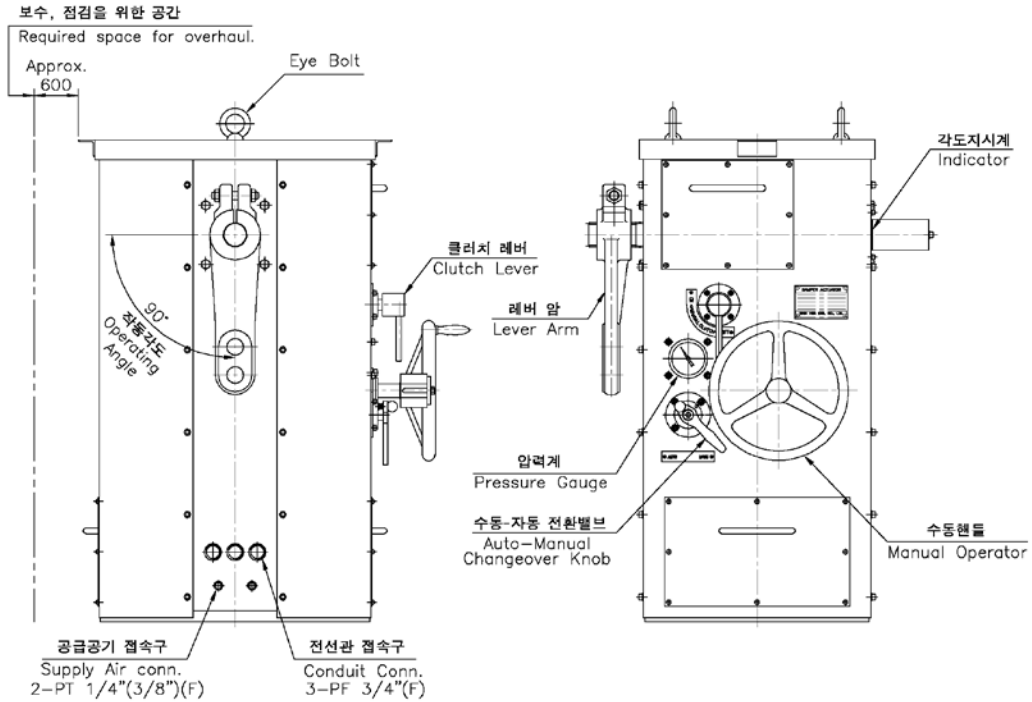
Lever Arm can be installed at any direction around the shaft.

AIR CYLINDER (CE100 ~ CE160)



## ■ DIMENSIONS

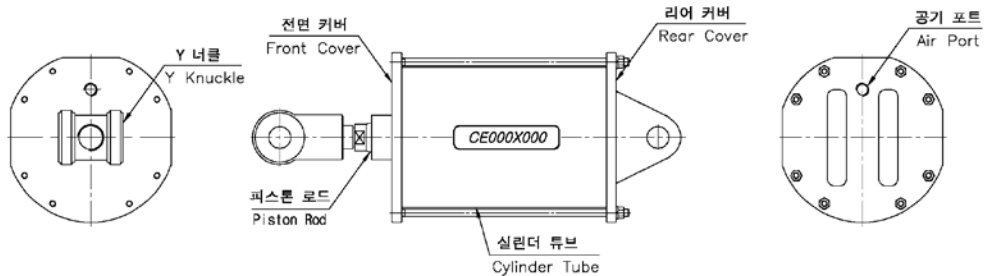
## ■ MODEL SE-08H ~ SE-80H



### NOTE

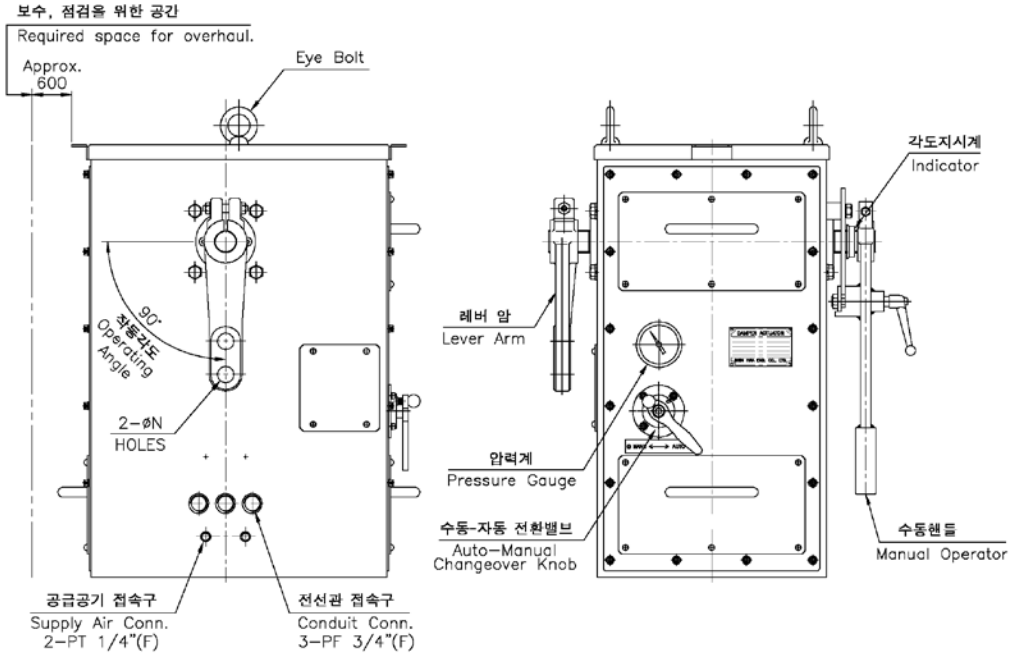
- \* 레버암은 축을 중심으로하여 임의의 각도로 돌려서 설치 가능합니다.  
Lever Arm can be installed at any direction around the shaft.

### AIR CYLINDER (CE180 ~ CE340)



■ DIMENSIONS

■ MODEL SE-01HW ~ SE-05HW

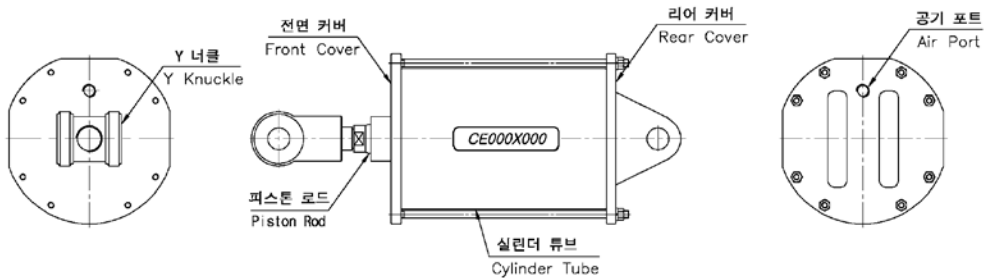


NOTE

\* 레버암은 축을 중심으로하여 임의의 각도로 돌려서 설치 가능합니다.

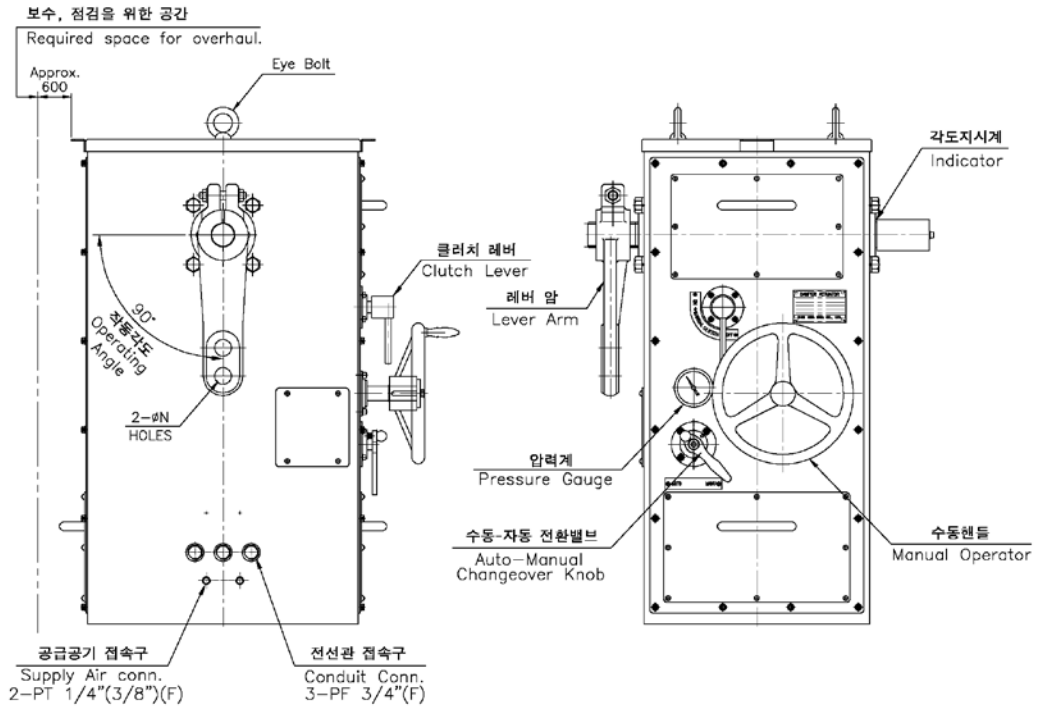
Lever Arm can be installed at any direction around the shaft.

AIR CYLINDER (CE100 ~ CE160)



## ■ DIMENSIONS

## ■ MODEL SE-08HW ~ SE-200HW

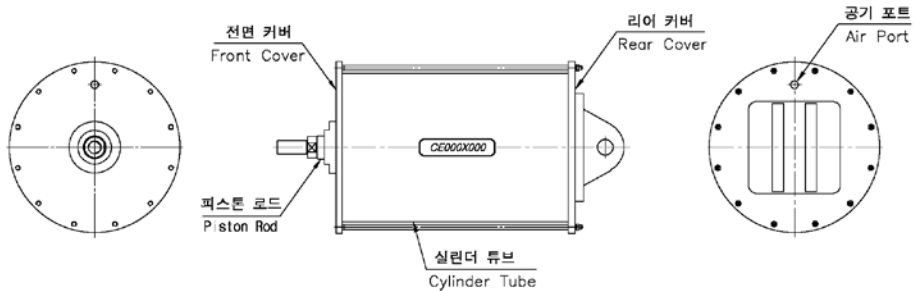


### NOTE

\* 레버암은 축을 중심으로하여 임의의 각도로 돌려서 설치 가능합니다.

Lever Arm can be installed at any direction around the shaft.

### AIR CYLINDER (CE180 ~ CE435)

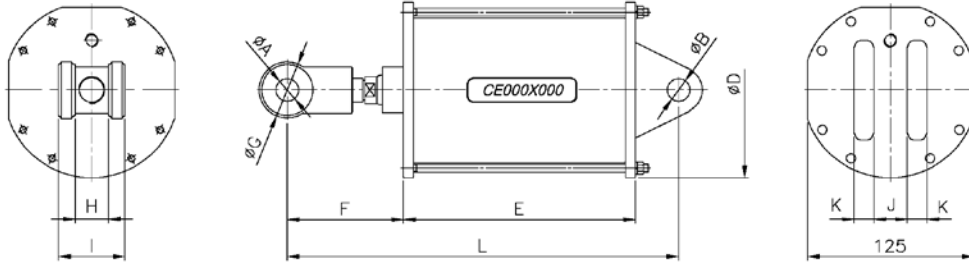




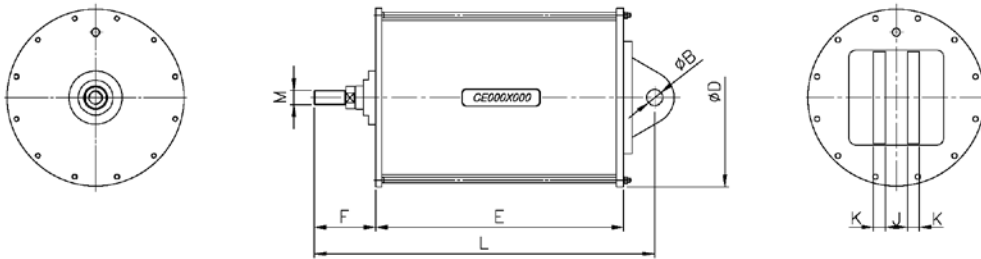
■ AIR CYLINDER 구조도

■ AIR CYLINDER STRUCTURE

(CE100 ~ CE385)



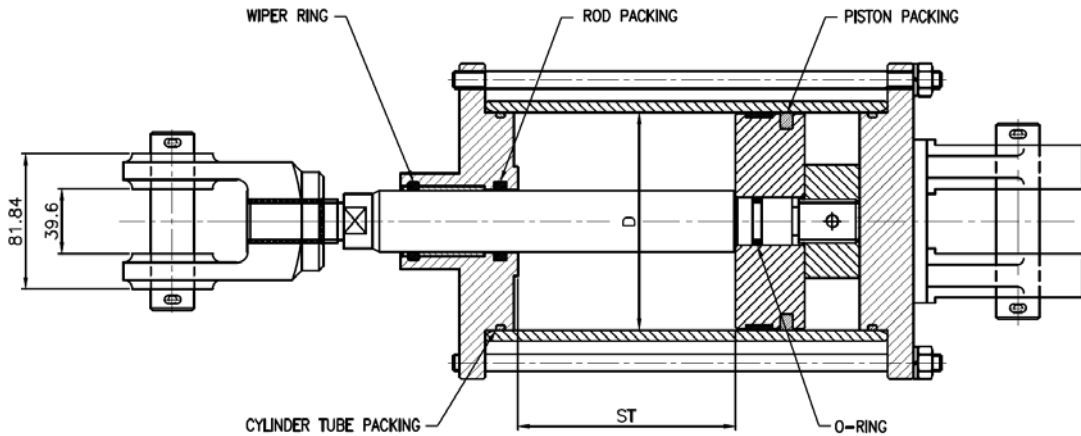
(CE385 ~ CE435)



MODEL	CYLINDER SIZE (mm)		DIMENSION (mm)											WEIGHT (kg)
	BORE	STROKE	A	B	D	E	F	G	H	I	J	K	L	
CE100×100	φ100	100	20	25	116	242	120	42	30	61	35.5	14.2	404	-
CE125×100	φ125	100	25	25	145	215	156		32	64	32	16	419	-
CE160×100	φ160	100	32	32	182	226	168		40	80	40	20	454	-
CE180×150	φ180	150	32	32	245	275	166	70	40	80	40	25	506	-
CE200×200	φ200	200	35	35	270	330	174	85	50	100	50	30	569	-
CE200×300	φ200	300	35	35	270	430	175	85	50	100	50	30	670	-
CE250×300	φ250	300	40	40	328	436	232	85	50	100	50	30	748	-
CE300×350	φ300	350	50	50	382	497	256	105	60	125	60	40	844	-
CE340×350	φ340	350	50	50	415	512	240	105	60	125	60	40	843	-
CE385×350	φ385	350	50	50	470	512	240	105	60	125	60	40	843	-
CE385×500	φ385	500	-	50	470	662	175	-	-	-	65	40	928	M42
CE435×500	φ435	500	-	50	520	654	180	-	-	-	65	35	925	M42

## ■ AIR CYLINDER 패킹

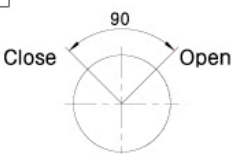
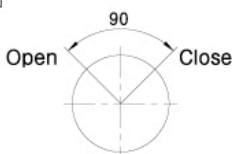
## ■ AIR CYLINDER PACKING



MODEL	CYLINDER	CYLINDER SIZE (mm)		CYLINDER TUBE PACKING		PISTON PACKING		WIPER RING		ROD PACKING		O-RING	
		BORE	STROKE	MODEL NO.	SIZE	MODEL NO.	SIZE	MODEL NO.	SIZE	MODEL NO.	SIZE	MODEL NO.	SIZE
SE-01H	CE100 x 100	φ100	100	G-95	φ95Xφ100X3.1t	APD(CQ0170A2)	φ85Xφ100X5.7t	SDR-28	φ28Xφ36X4.5t	PNY-28	φ28Xφ36X5.2t	G - 17	φ17Xφ23X3.1t
SE-02H	CE125 x 100	φ125	100	G-120	φ120Xφ125X3.1t	APD(CQ0174A2)	φ110Xφ125X5.7t	SDR-32	φ32Xφ40X5t	PNY-32	φ32Xφ42X6.5t	G - 22	φ22Xφ26X3t
SE-05H	CE160 x 100	φ160	100	G-150	φ150Xφ160X5.7t	APD(CQ0178A2)	φ140Xφ160X7.7t	SDR-35	φ35Xφ43X5t	PNY-35	φ35Xφ45X6.5t	G - 25	φ25Xφ31X3.1t
SE-08H	CE180 x 150	φ180	150	G-170	φ170Xφ180X5.7t	APD(CQ0180A1)	φ160Xφ180X8t	SDR-40	φ40Xφ48X5t	PNY-40	φ40Xφ50X6.5t	G - 27	φ27Xφ33X3.1t
SE-15H	CE200 x 200	φ200	200	G-190	φ190Xφ200X5.7t	APD(CQ0181A2)	φ180Xφ200X8t	SDR-45	φ45Xφ53X5t	PNY-45	φ45Xφ55X6.5t	G - 32	φ32Xφ38X3.1t
SE-25H	CE200 x 300	φ200	300	G-190	φ190Xφ200X5.7t	APD(CQ0181A2)	φ180Xφ200X8t	SDR-45	φ45Xφ53X5t	PNY-45	φ45Xφ55X6.5t	G - 32	φ32Xφ38X3.1t
SE-40H	CE250 x 300	φ250	300	G-240	φ240Xφ250X5.7t	APD(CQ0182A1)	φ230Xφ250X8t	SDR-50	φ50Xφ58X5t	PNY-50	φ50Xφ60X6.5t	G - 35	φ35Xφ41X3.1t
SE-60H	CE300 x 350	φ300	350	G-290	φ290Xφ300X5.7t	APD(CQ0183A1)	φ280Xφ300X8t	SDR-60	φ60Xφ68X5t	PNY-60	φ60Xφ70X6.5t	G - 45	φ45Xφ51X3.1t
SE-80H	CE340 x 350	φ340	350	G-330	φ330Xφ340X5.7t	P325	φ325Xφ340	SDR-60	φ60Xφ68X5t	PNY-60	φ60Xφ70X6.5t	G - 45	φ45Xφ51X3.1t
SE-100H	CE385 x 350	φ385	350	G-375	φ375Xφ385X5.7t	P370	φ370Xφ385	SDR-70	φ70Xφ80X6t	PNY-70	φ70Xφ80X6.5t	G - 55	φ55Xφ65X3.1t
SE-150H	CE385 x 500	φ385	500	G-375	φ375Xφ385X5.7t	P370	φ370Xφ385	SDR-70	φ70Xφ80X6t	PNY-70	φ70Xφ80X6.5t	G - 55	φ55Xφ65X3.1t
SE-200H	CE435 x 500	φ435	500	G-425	φ425Xφ435X5.7t	P420	φ420Xφ435	SDR-70	φ70Xφ80X6t	PNY-70	φ70Xφ80X6.5t	G - 55	φ55Xφ65X3.1t

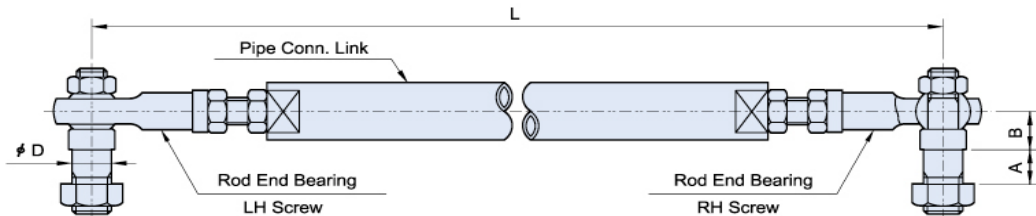
## SPECIFICATION SHEET (사 양 서)

Date of issue 201 . . . .

회사명 Client		사용자 End User	
필요토크 Required Torque		kgf-m	수량 Quantity set
Model (SE- )		Rated Torque ( kgf-m)	Operating Angle ( 90 Deg.)
*Torque valve is that under supply air pressure 5.5 kg/cm <sup>2</sup> G			
제어방법 Control Method	<input type="checkbox"/> Auto Type (Positioner)	<input type="checkbox"/> 4~20 mA D.C Input Signal <input type="checkbox"/> 0.2~1 kg/cm <sup>2</sup> G Input Signal	
	<input type="checkbox"/> On-Off Type (Solenoid Valve)	특 성 Characteristic    리니어 Linear    스퀘어 Square    스퀘어 루트 Square Root <input type="checkbox"/> 2-Position <input type="checkbox"/> Model (    ) <input type="checkbox"/> 3-Position <input type="checkbox"/> Model (    )	
Air Lock-up Valve		<input type="checkbox"/> None	<input type="checkbox"/> Model (    )
Limit Switches (Q'TY : 2EA)		<input type="checkbox"/> None	<input type="checkbox"/> Model (    )
발신기 Position Transmitter		<input type="checkbox"/> None <input type="checkbox"/> Potentiometer (St'd 0~1kΩ)	<input type="checkbox"/> R/I Converter (4~20mA D.C)
Speed Control Valve		<input type="checkbox"/> None	<input type="checkbox"/> Model (    )
Space Heater		<input type="checkbox"/> None	<input type="checkbox"/> Model (    )
조작시간 Open(Close) Time		(    ) sec.	
조작방향 Operating Direction of Output Shaft (To See Output Shaft) 출력축에서 보아		<input type="checkbox"/>  <input type="checkbox"/> 	
전원 Electric Power Source		AC (    ) V (    ) Hz	
도장색 Painted Colour		<input type="checkbox"/> St'd 7.5BG 6/1.5	<input type="checkbox"/> Special (    )

### ■ DIMENSIONS

### ■ MODEL SEW(SE) TYPE



MODEL	D (mm)	A (mm)	B (mm)	Pipe	L (mm) Adjustable Length
SE - 01/02/05	Ø25	25	20	A25 Sch60	390 ~ 520
SE - 08/15	Ø30	30	25	A32 Sch60	530 ~ 730
SE - 25/40	Ø35	35	30	A40 Sch60	590 ~ 850
SE - 60/80/100	Ø40 (Ø45)	40	38	A50 Sch80	700 ~ 1000
SE - 150/200	Ø50	50	40	A50 Sch80	1000 ~ 1200



**SHIN HWA** 新和技研(株)

本社・工場 인천광역시 남동구 청능대로 242(고잔동 80B-2L)  
TEL:(032)817-8030(代)  
FAX:(032)815-8036  
E-mail:8030@seg.co.kr  
<http://www.seg.co.kr>

**SHIN HWA ENG. CO., LTD**  
242, CHEONGNEUNG-DAERO, NANDONG-GU,  
INCHEON-CITY KOREA  
TEL:(032)817-8030(代)  
FAX:(032)815-8036